

# High security for smart watches on display.

Secures watch body and band.



- › The only high security solution for smart watches on display
- › Allows shoppers to model how the watch will look on them before they buy
- › Secures the watch body and band while bolted to the fixture
- › Part of InVue's IR Ecosystem™



# HS Smart Watches

## FEATURES AND BENEFITS

- 1 Provides robust security for watch body and band making it ideal for high theft environments
- 2 Powers micro USB watches, Samsung Gear 2, Gear 2 Neo, Gear Fit, Gear S and LG G Watch R
- 3 Allows consumers to model how the watch looks on their wrist without assistance from store staff
- 4 Uses a common security stand with the flexibility to change from alarming-only applications to micro USB watches and vice versa
- 5 Adjustable brackets secure most watches
- 6 Angled display stands for easy consumer interaction
- 7 LED blinks red during an alarming event
- 8 Red LED indicates the watch is armed



**POWERS AND SECURES SMART WATCHES**

HS Smart Watches powers and secures Samsung Gear S, Gear Fit, Gear 2, Gear 2 Neo and LG G Watch R smart watches.



Gear S

Gear Fit

Gear 2

Gear 2 Neo



LG G Watch R



## IR ECOSYSTEM™

HS Smart Watches are part of the exclusive InVue IR Ecosystem™, a storewide single key solution that improves customer service, increases sales and provides high theft protection.

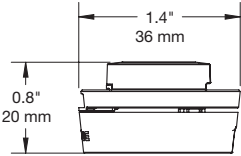


- Handheld Electronics
- Electronic Accessories
- Secure Fixtures
- Package Protection
- Locked Cabinets
- Commercial Solutions

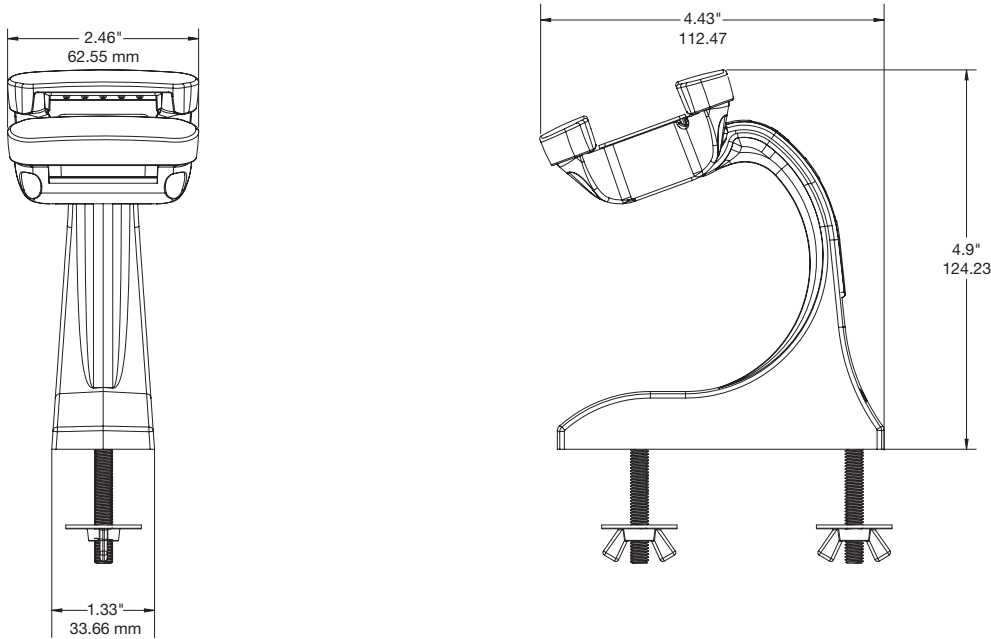


## SPECIFICATIONS

Alarm Unit (AC100):

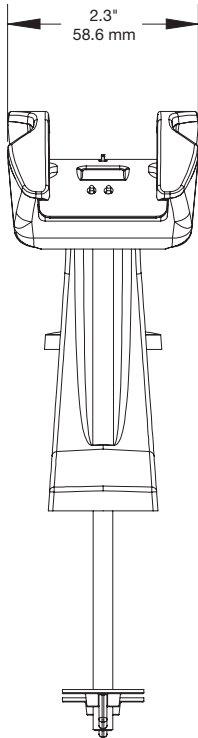


HS Wrist Wearables Stand with Brackets (AC145-W):



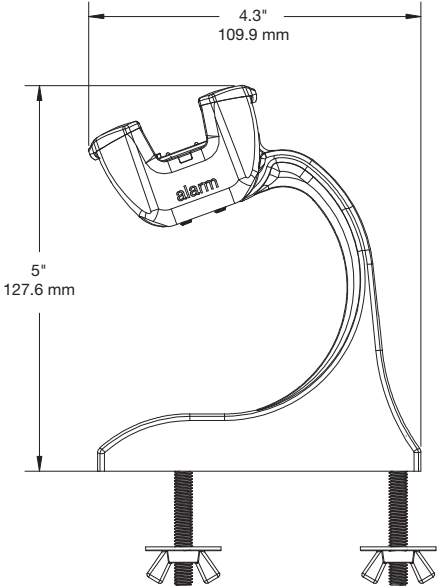
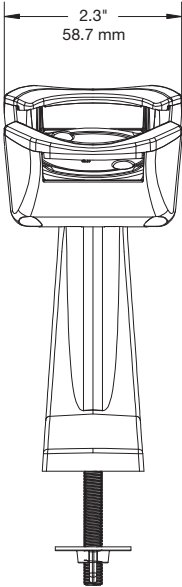
## SPECIFICATIONS

HS Wearables Samsung Gear S (AC149-W):



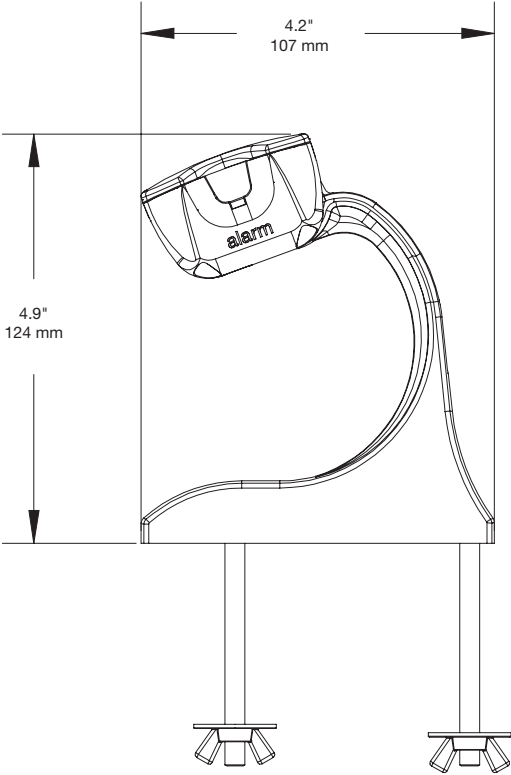
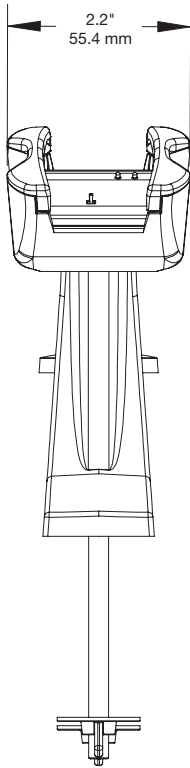
## SPECIFICATIONS

HS Wearables LG G Watch R (AC151-W):



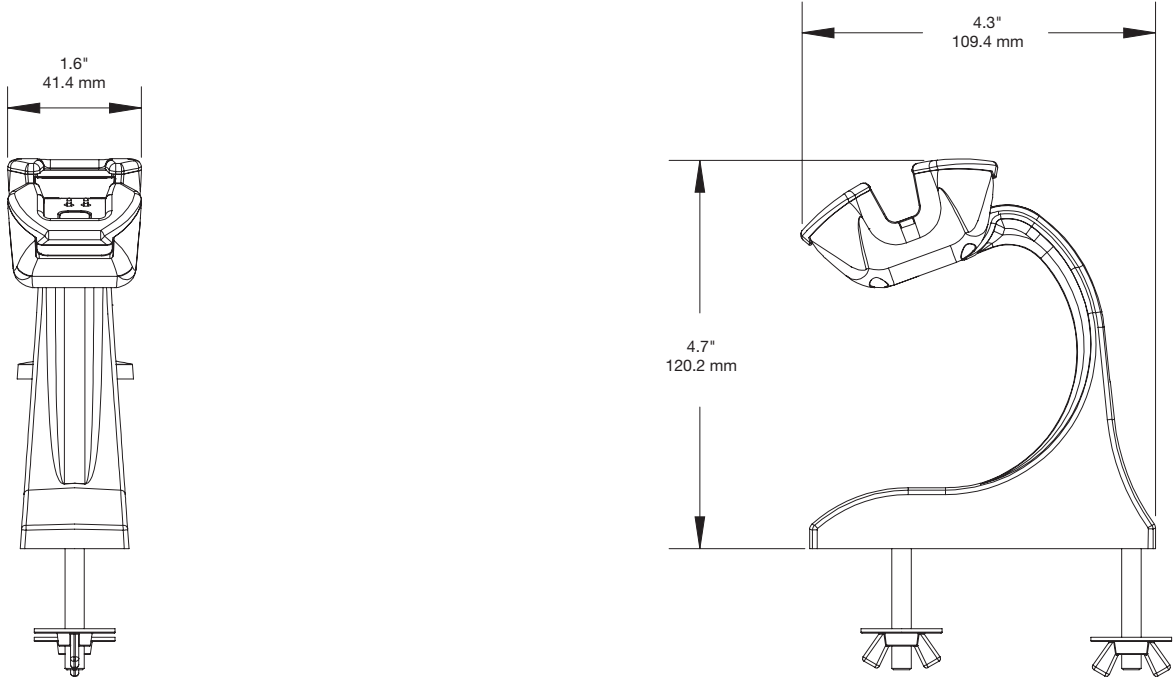
## SPECIFICATIONS

HS Wearables Samsung Gear Neo (AC150-W) and HS Wearables Samsung Gear 2 (AC152-W):



## SPECIFICATIONS

HS Wearables Samsung Gear Fit (AC153-W):



# HS Smart Watches

## PRODUCT ORDERING

ORDER CODE	DESCRIPTION	CARTON QTY.
AC100	Alarm Unit	32
AC126-W	HS Wearables Alarm Only Sensor	50
AC127-W	HS Wearables Micro AP Sensor	50
AC142	Power Supply Clamp - Clear	100
AC145-W	HS Wearables Stand with Brackets	8
AC146-W	HS Wearables Replacement Brackets	2
AC149-W	HS Wearables Samsung Gear S - White	8
AC150-W	HS Wearables Samsung Gear Neo - White	8
AC151-W	HS Wearables Samsung Gear Neo - White	8
AC152-W	HS Wearables LG G Watch R - White	8
AC153-W	HS Wearables Samsung Gear Fit - White	8
PS13V-ARG	5V USB-A Power Supply - Argentina	50
PS13V-AUS	5V USB-A Power Supply - Australia	
PS13V-EU	5V USB-A Power Supply - Europe	
PS13V-UK	5V USB-A Power Supply - UK	
PS13V-US	5V USB-A Power Supply - US	

*\*OEM power supply can be used*

[invue.com](http://invue.com)

©2016 InVue Security Products. No endorsement of InVue products has been made by any of the manufacturers of the products shown. Product is sold pursuant to InVue's warranty which can be found at [www.invue.com/warranty](http://www.invue.com/warranty).

**THE AMERICAS** 704.752.6513 • 888.55.INVUE

**EUROPE, MIDDLE EAST & AFRICA** +31.23.8900150

**ASIA PACIFIC** +852.3127.6811



rev. 02/12/16

